



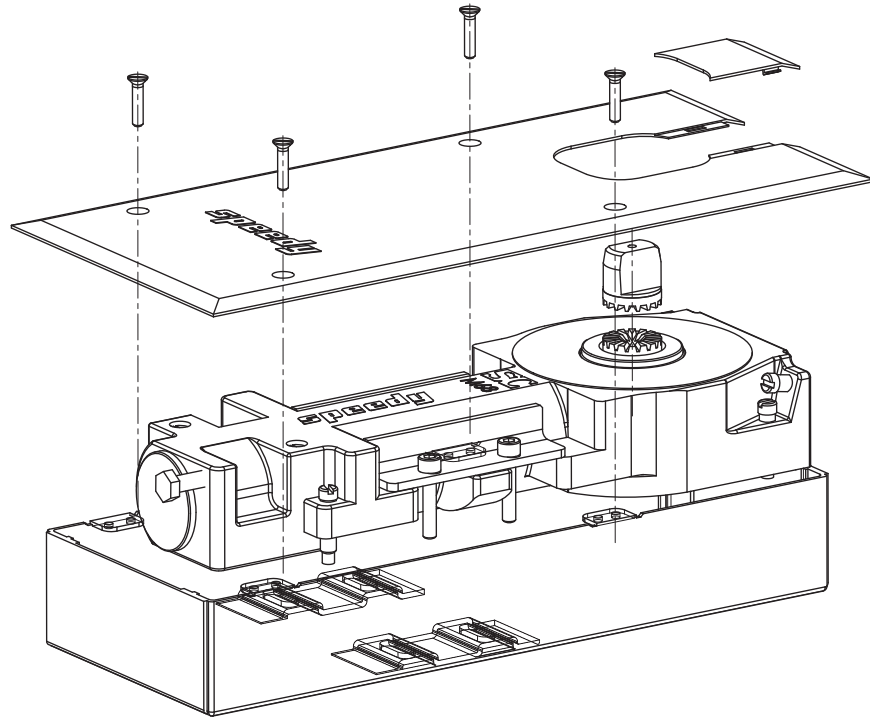
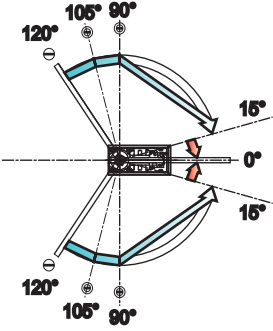
CASMA  
ALL DOOR CLOSERS

# SM68

## Chiudiporta a terra

**Fermo costante**  
Constant hold-open  
Retención constante

**Back-stop a 120°**  
Back-stop 120°  
Back-stop a 120 grados



EN 1164 - 3

Max. 100 Kg

Max. 950

