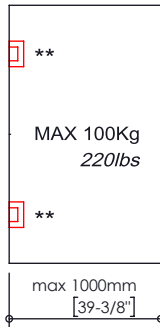
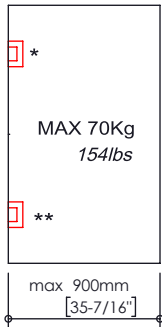
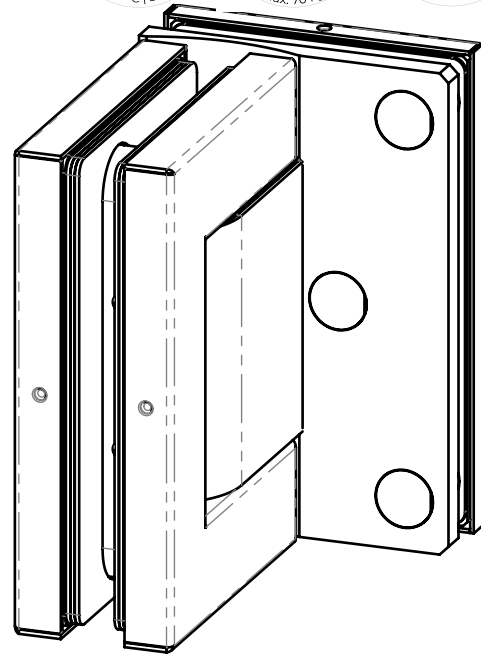
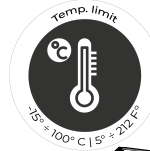
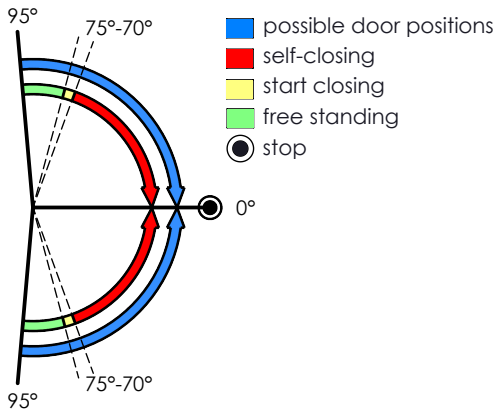
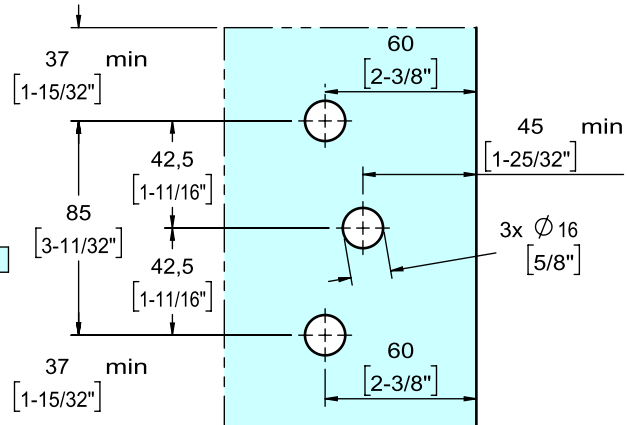
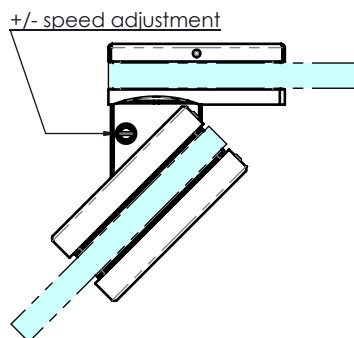
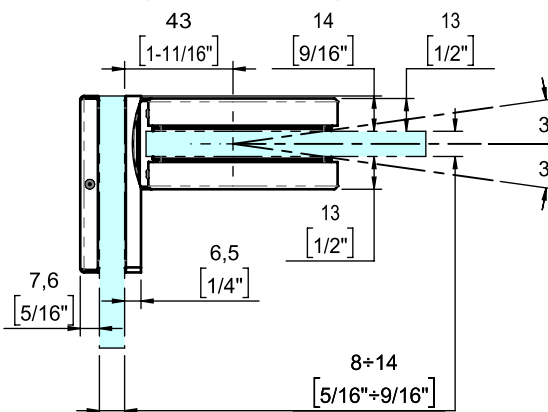
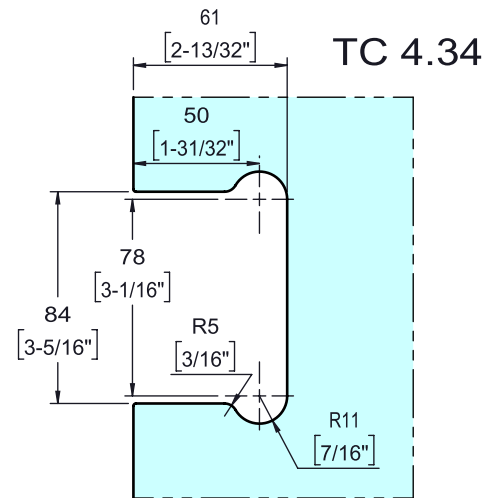
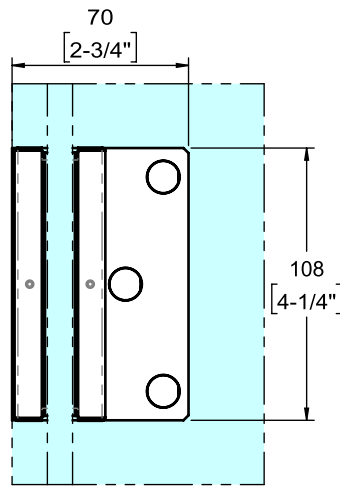
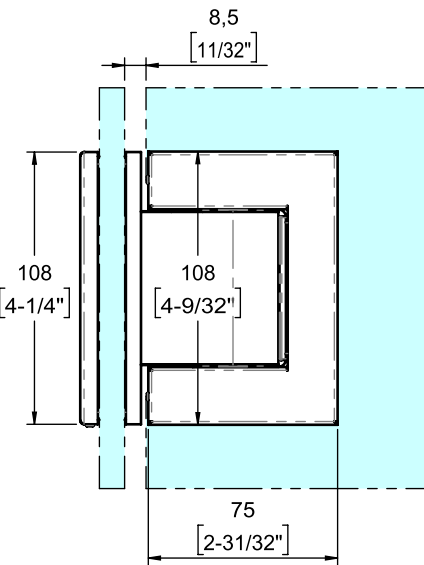


4LAXS



* 4LADS
Dummy

** 4LA1S
Hydraulic



TC 4.37